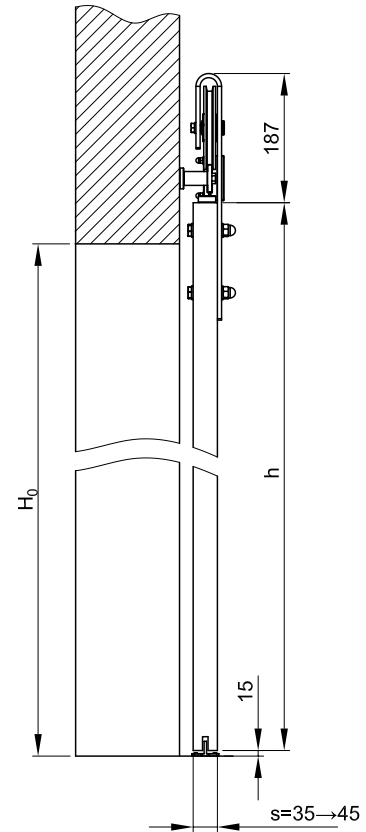
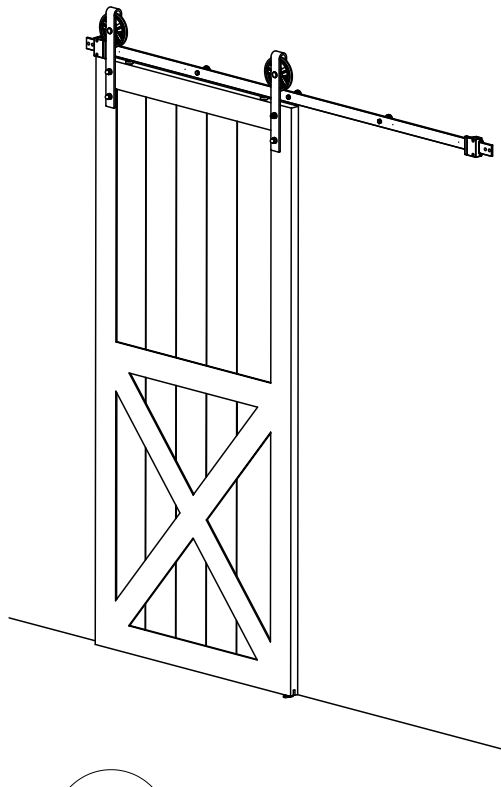
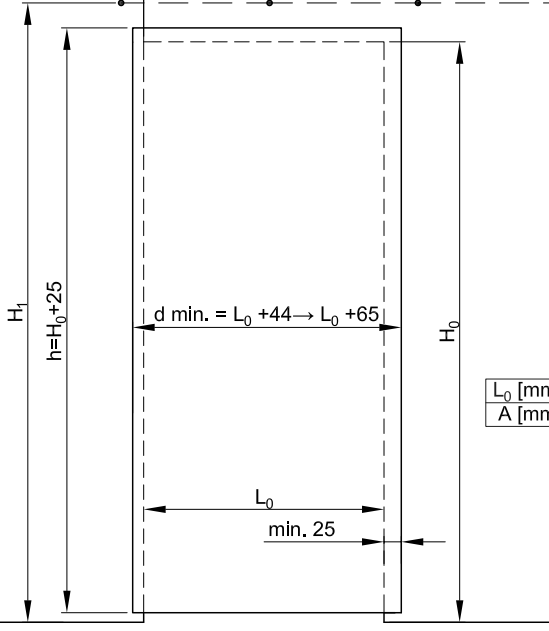
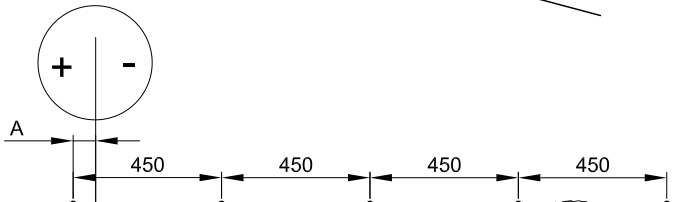




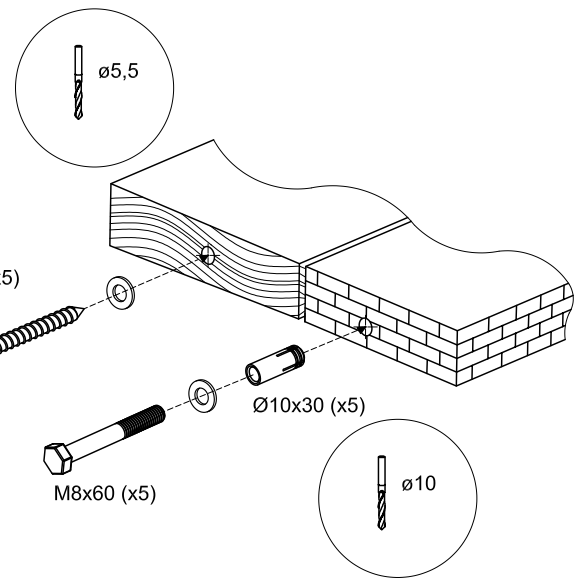
- x1
- x2
- x5
- x2
- x2
- x1
- x4
- x4
- x5
- x5
- x5
- x2
-



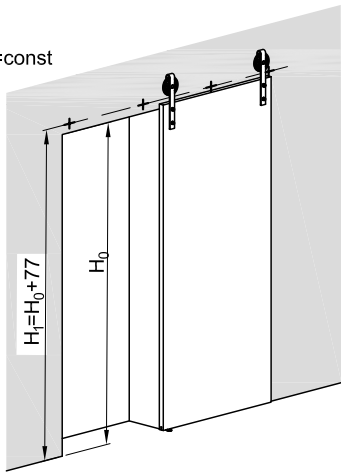
1



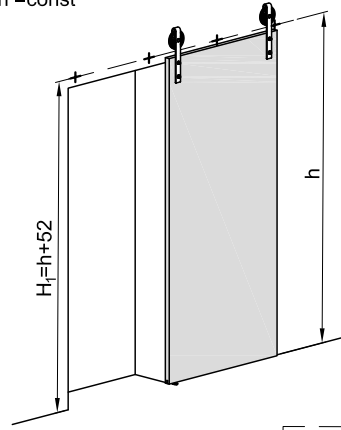
L_0 [mm]	≥ 900	$800 \leq L_0 < 900$
A [mm]	-50	+100



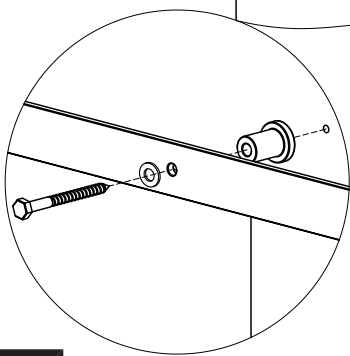
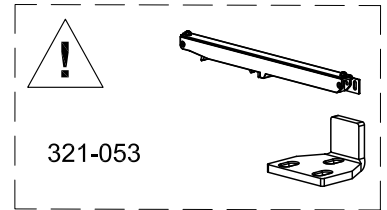
1°H₀ =const



2°h =const



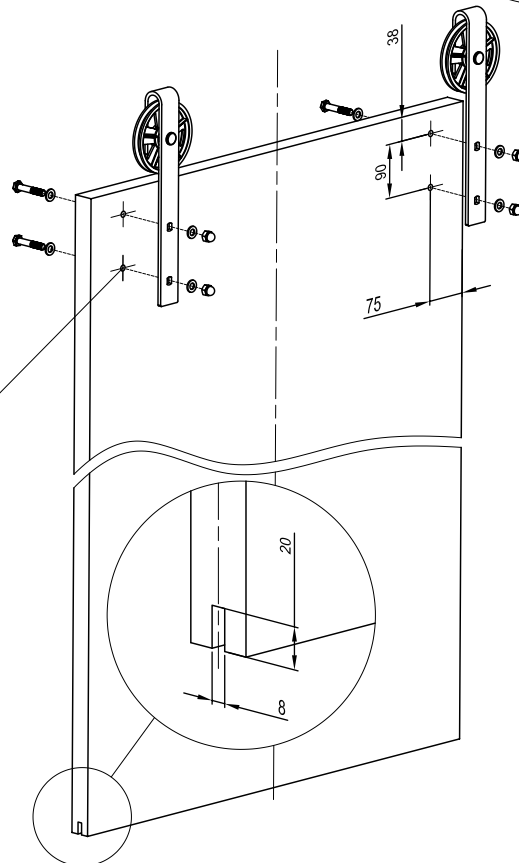
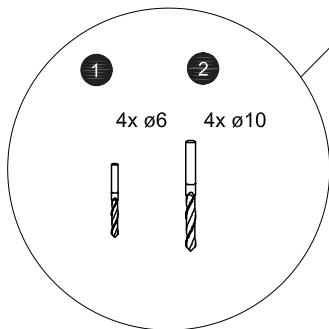
2



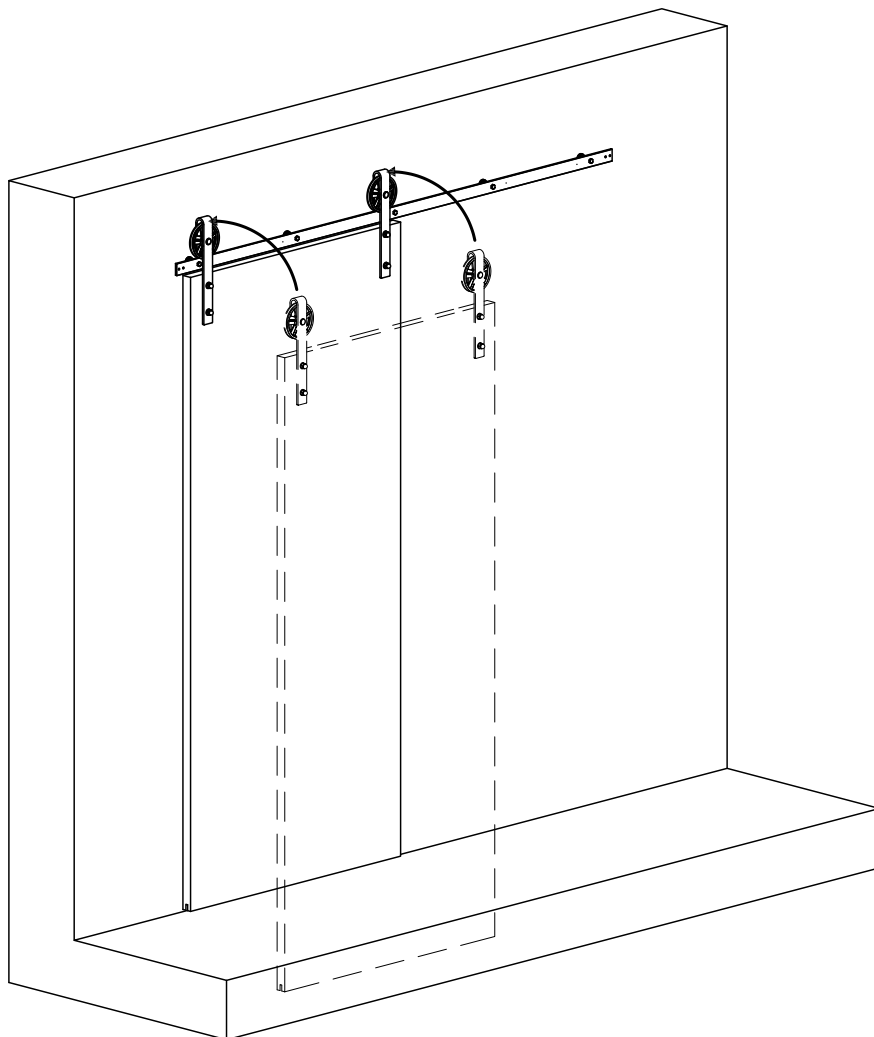
3

M10x55 s= $\begin{matrix} \text{Min. } 35 \\ \text{Max. } 40 \end{matrix}$

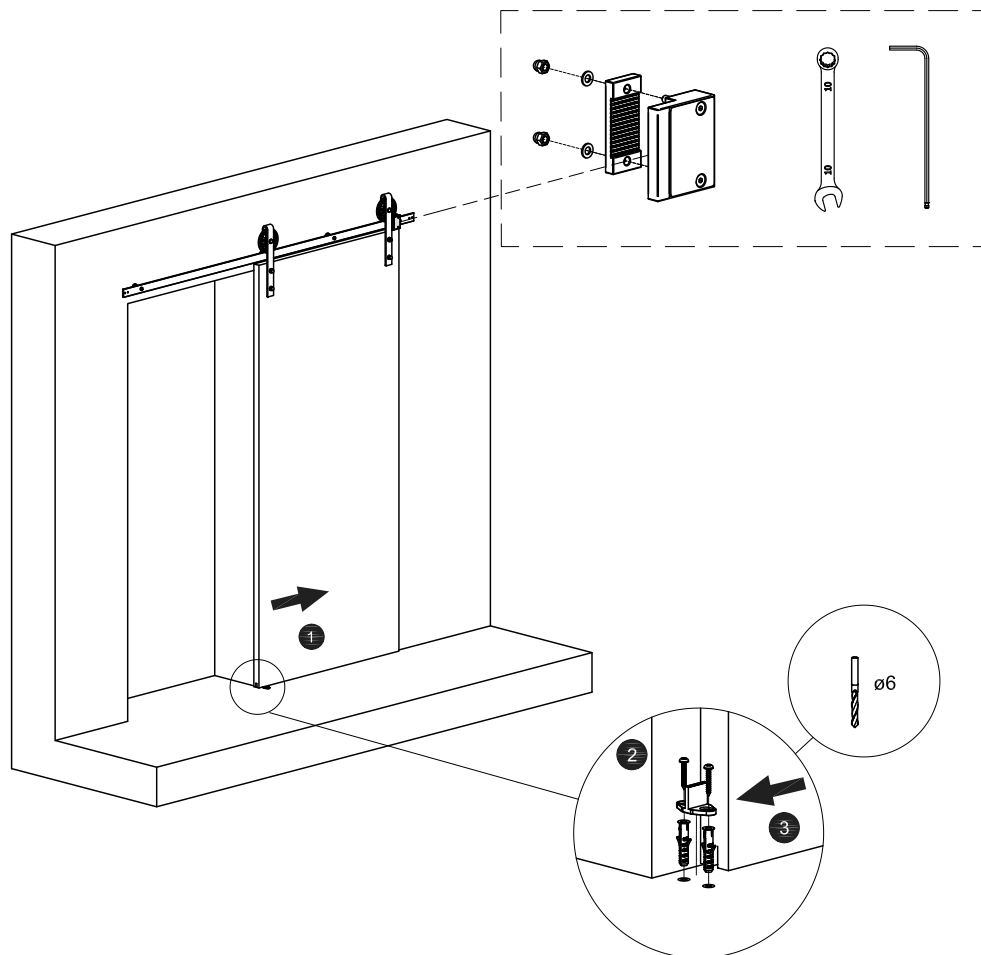
M10x60 s= $\begin{matrix} \text{Min. } 40 \\ \text{Max. } 45 \end{matrix}$



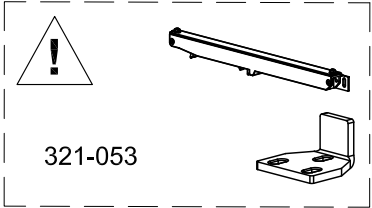
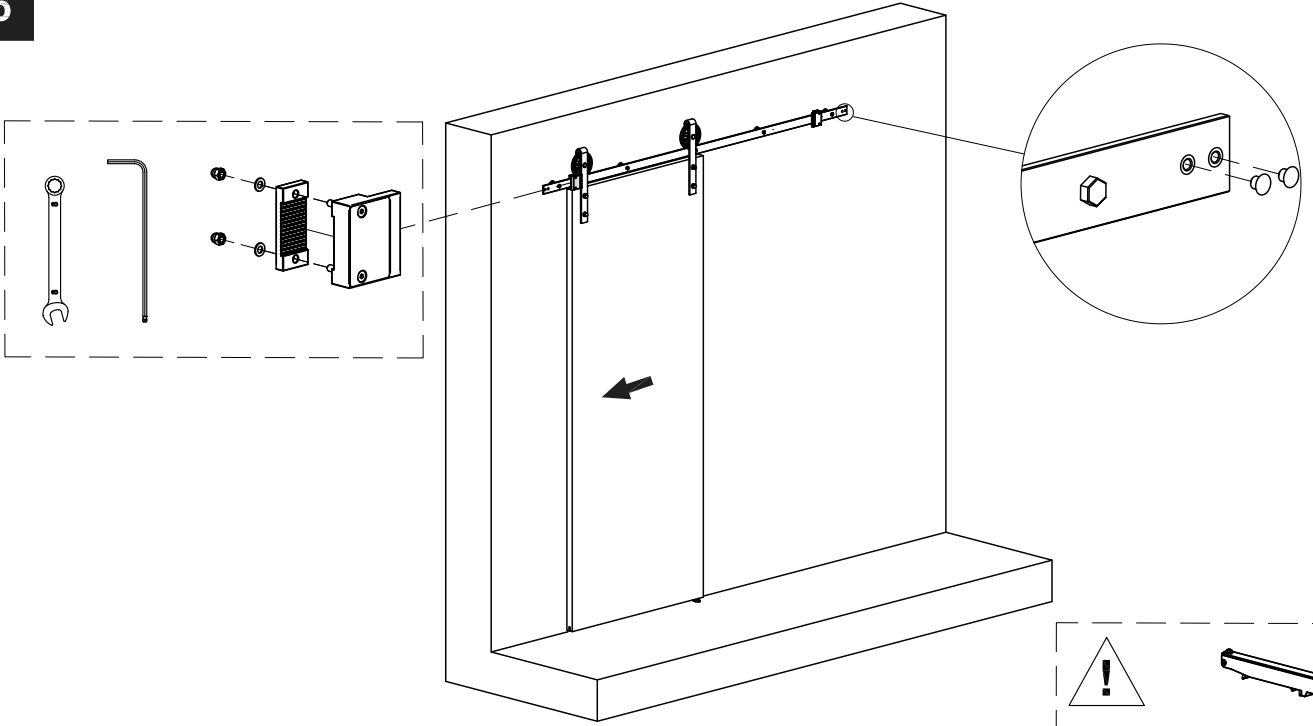
4



5



6



7

