

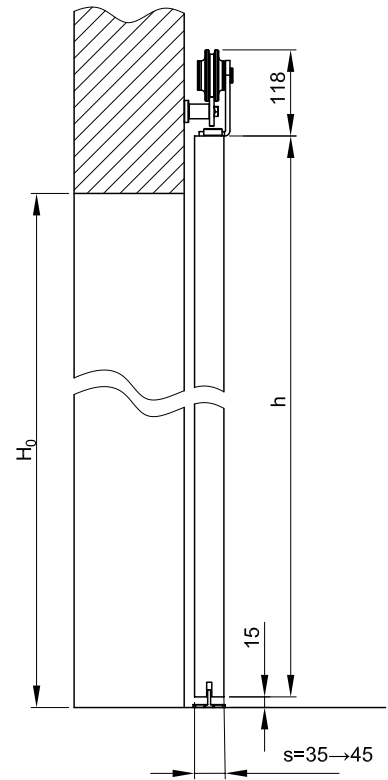
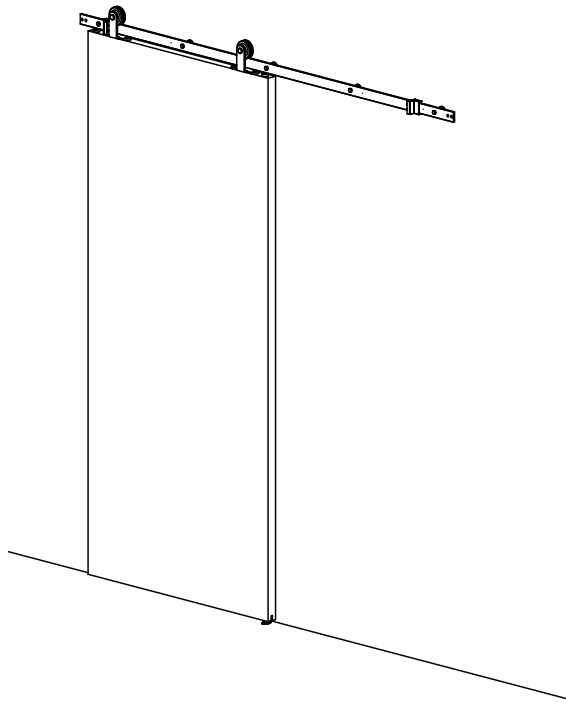


**VALCOMP**  
by MANTION

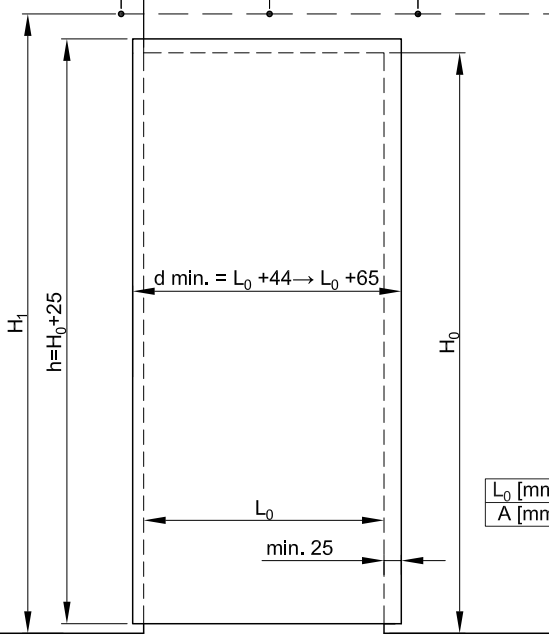
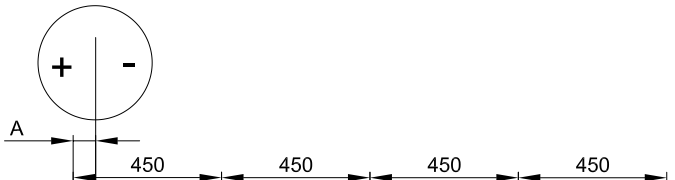
**LUNA**  
**213-452**



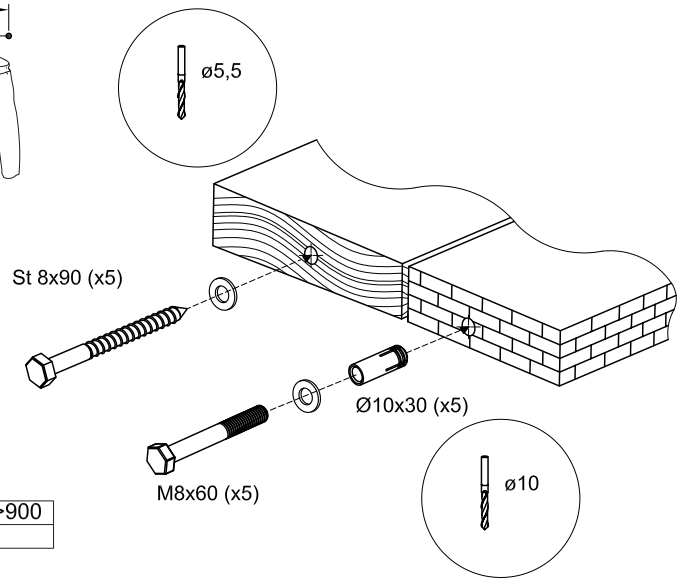
- x1
- x2
- x5
- x2
- x2
- x1
- $\varnothing 6$   
x4
- St 6,3x40  
x4
- St8x90  
x5
- M8x30  
M8x60  
x5
- St4,2x25  
 $\varnothing 6 \times 30$   
x2
- 100  
KG



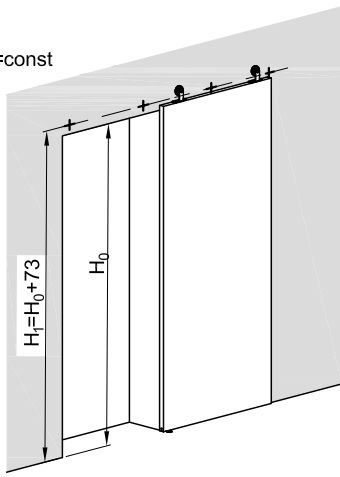
**1**



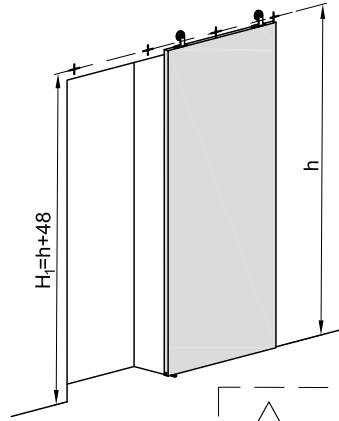
$L_0$ [mm]	$\geq 900$	$800 \leq L_0 < 900$
A [mm]	-25	+40



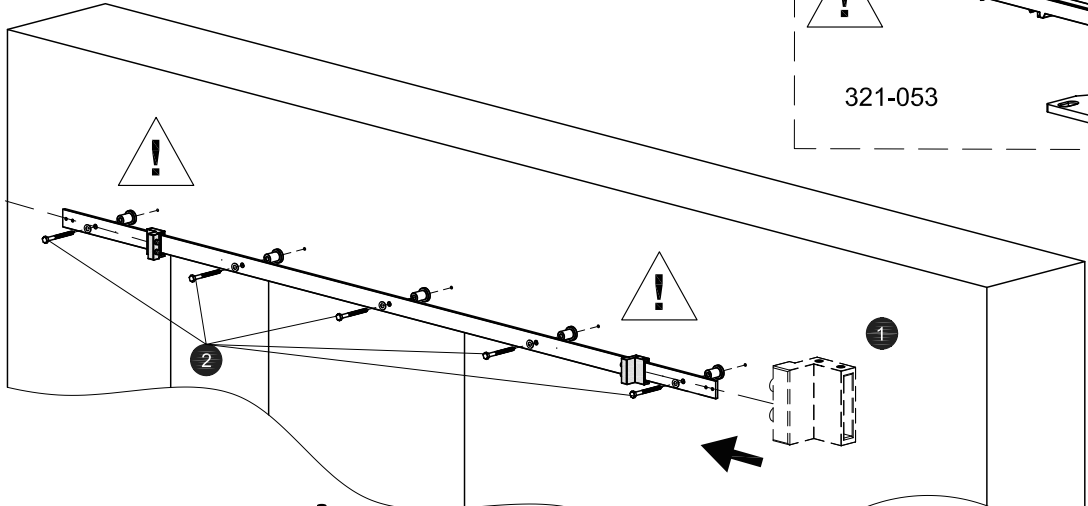
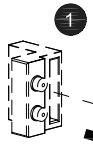
1°H<sub>0</sub> = const



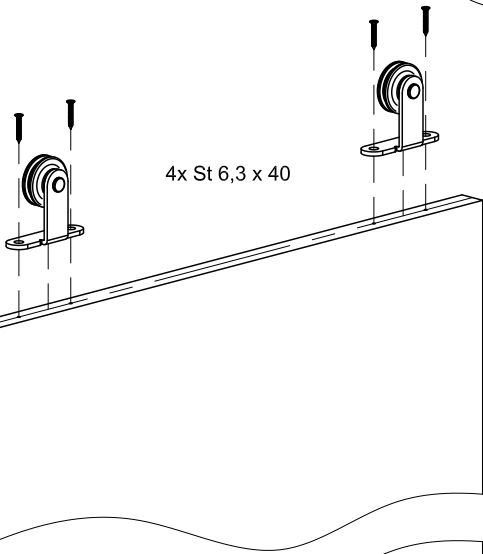
2°h = const



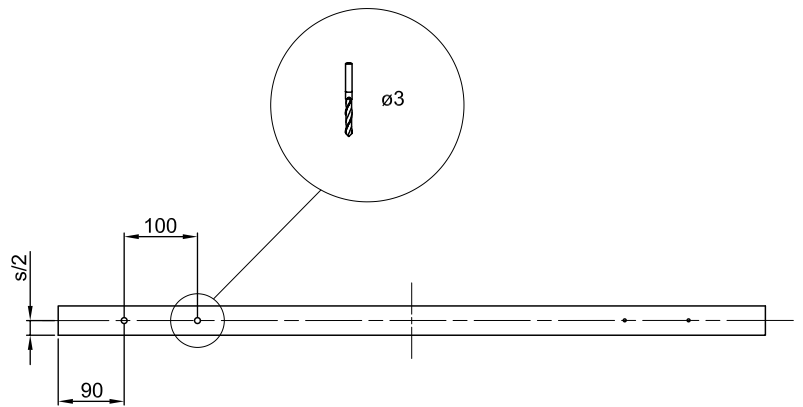
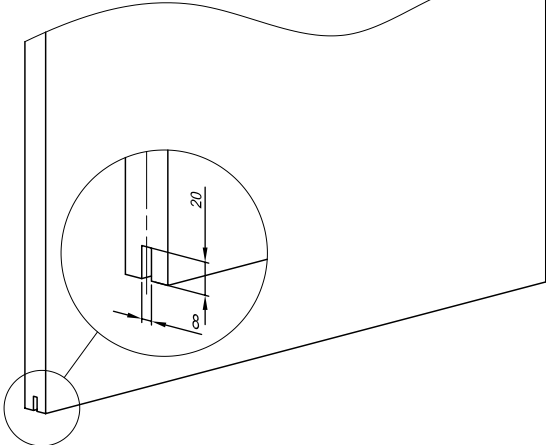
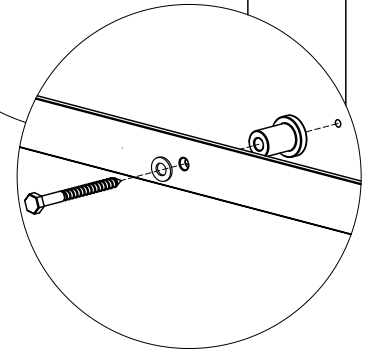
2



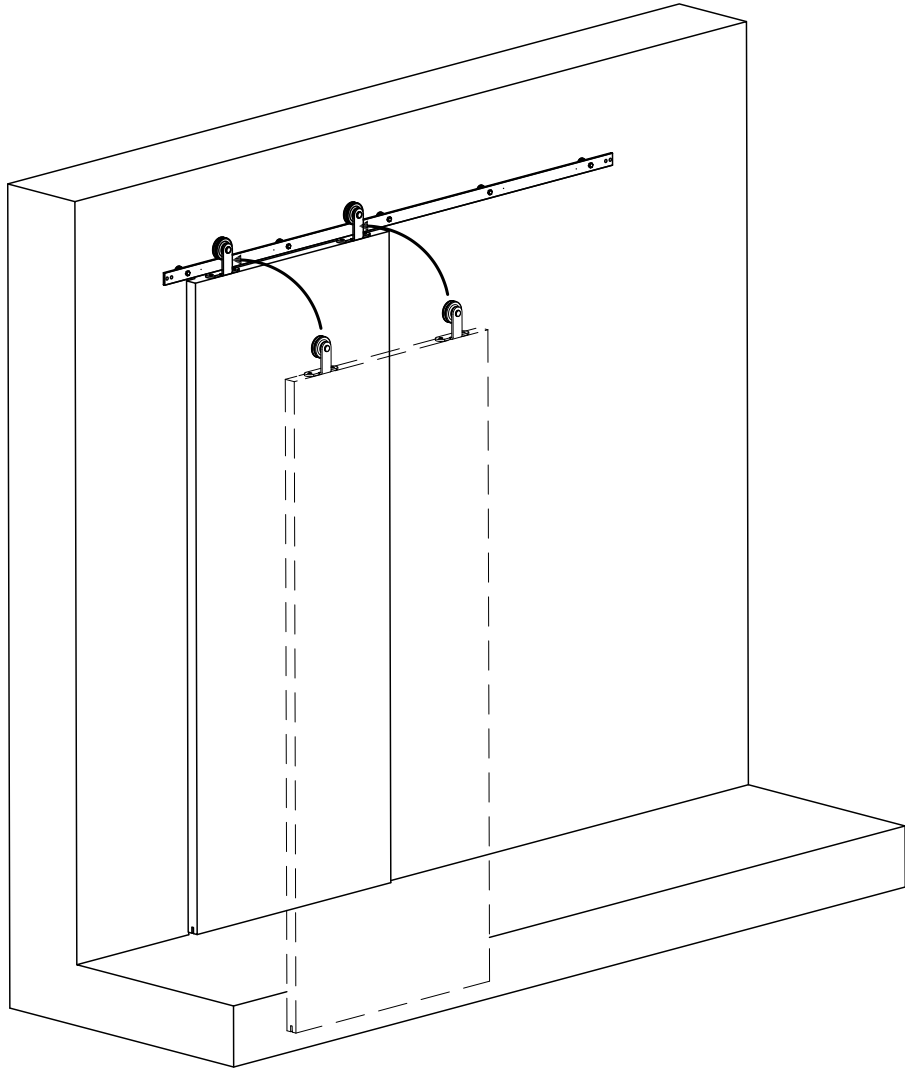
3



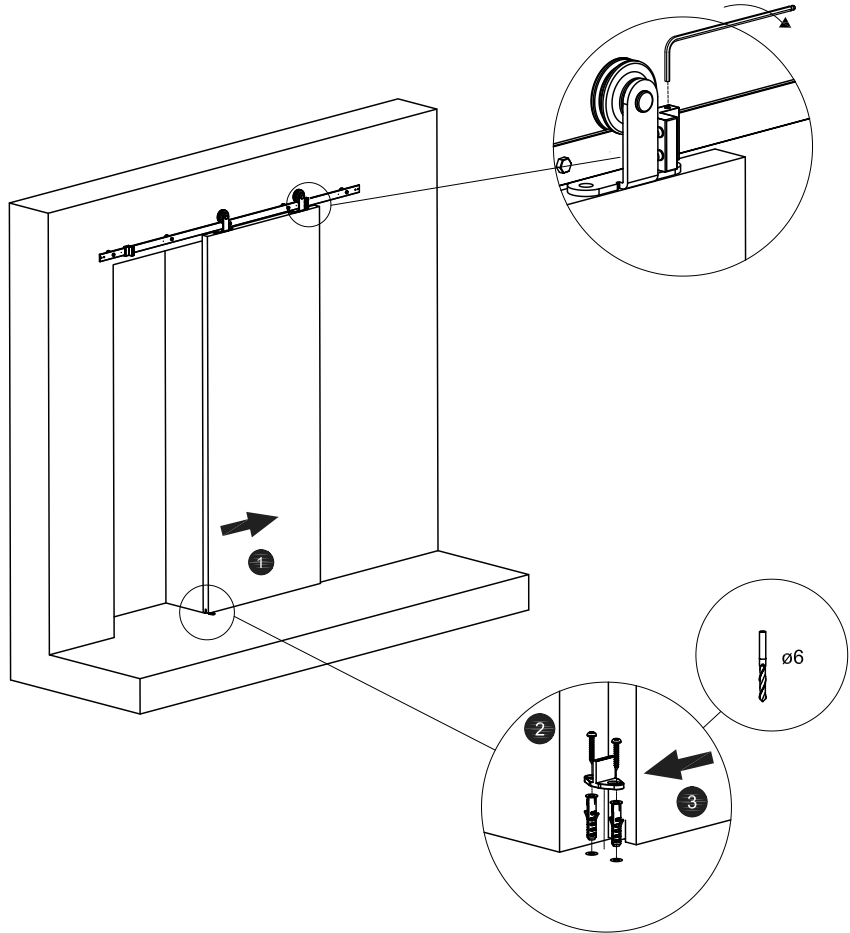
4x St 6,3 x 40



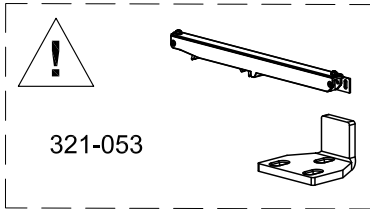
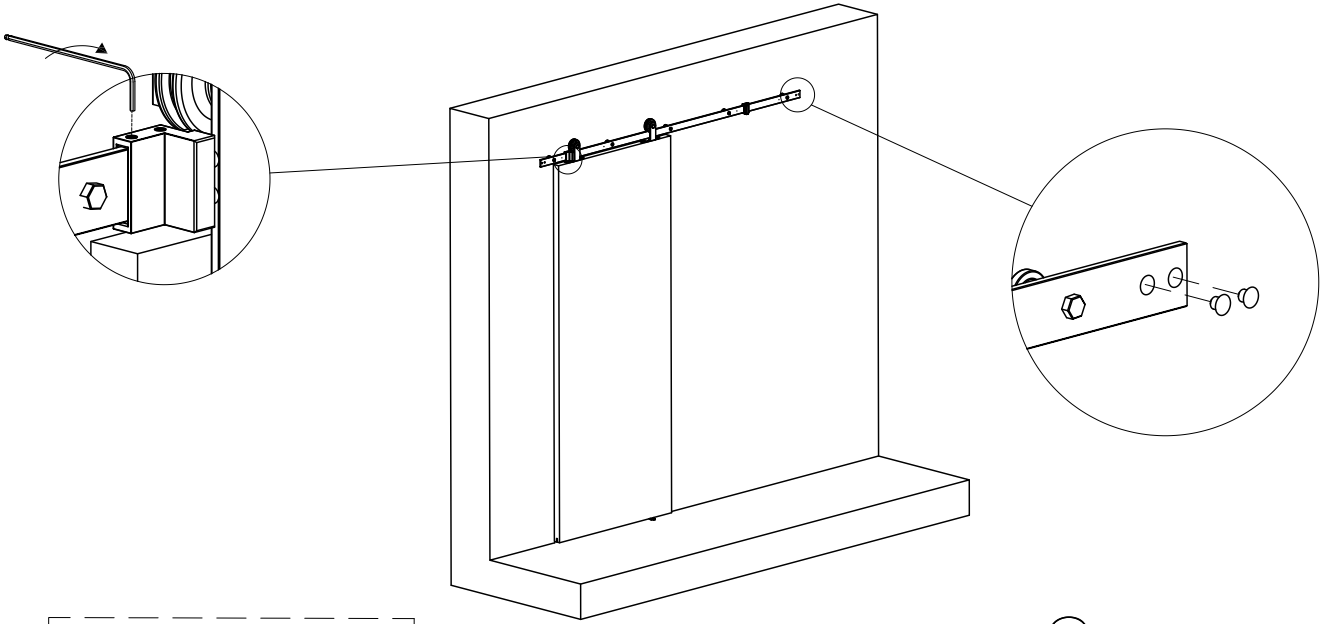
4



5



6



7

