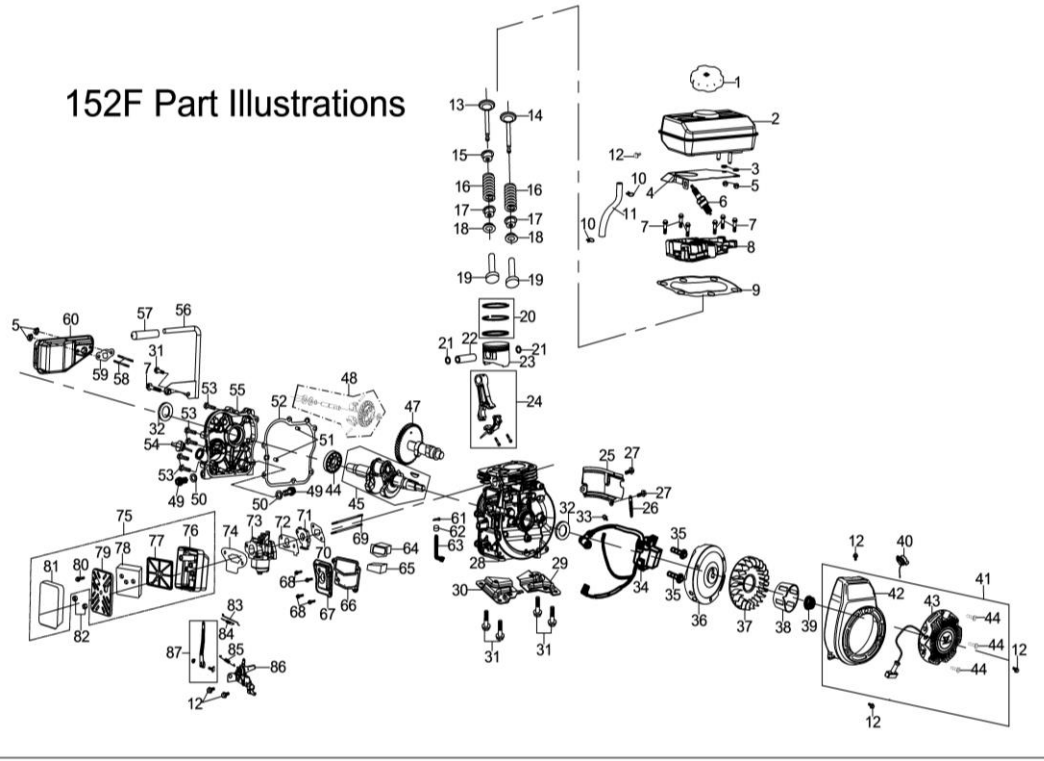


ZONGSHEN ZS152F PART LIST

152F Part Illustrations



序号NO.	零部件编码 PART No.	零部件名称 Chinese name	英文名称 Description	数量 Quantity	备注 Remark	序号NO.	零部件编码 PART No.	零部件名称 Chinese name	英文名称 Description	数量 Quantity	备注 Remark
1	61120-KR01-0300	168F油箱盖组合/金属盖	FUEL CAP	1		45	13250-GC90-0200	152F曲轴总成/总成	CRANKSHAFT	1	
2	61100-GC90-000075	152F油箱总成/70154色	FUEL TANK	1		46	62102-00000006203	轴承/6203	BEARING 6203	1	
3	61380-GC90-0100	152F油箱隔热垫/无石棉/厚度2.5	GASKET, FUEL TANK INSULATOR	2		47	15100-GC90-0100	152F凸轮轴部件/尼龙	CAMSHAFT	1	
4	19113-GC90-0000	152F号流罩	SHROUD	1		48	24020-GC90-0000	152F副轴从动齿轮组合	GOVERNOR GEAR	1	
5	80601770100000000	螺母M6×1.25/GB6177.1/镀锌白锌	NUT M6	1		49	61400-KR01-0000	168F凸轮轴螺母/加10×1.25×15	BRACKET BOLT 10×1.25×15	1	
6	61300-L34-0000	152F冲头衬套/ETC	PISTON PLUG	1		50	91300-91001110000	轴套 Φ10×1.25×Φ16	AXISLEEVE Φ10×1.25×Φ16	1	
7	605789000001070X	螺栓M6×1.25/GB5789/镀锌白锌	BOLT M6×1.25	7		51	91521-00001100000	定位销 Φ8×14	LOCATING PIN Φ8×14	2	
8	11300-GC90-0000	152F气盖	VALVE COVER	1		52	90206-GC10-0200	152F曲轴箱密封垫/无石棉/带密封胶	GASKET, CRANKCASE COVER	1	
9	90228-GC90-0200	152F汽缸头密封垫/汽缸头/厚度0.9mm	GASKET, CYLINDER HEAD	1		53	8057890000002970X	螺栓M6×28/GB5789/镀锌白锌	BOLT M6×28	5	
10	17029-KR01-0000	168F油箱卡箍/尼龙	CLAMP, FUEL HOSE	2		54	14301-GC90-0000	152F机油代组合	ROFSTICK	1	
11	72999940000000055	复合油垫 Φ4×Φ8×5.5	FUEL HOSE Φ4×Φ8×5.5	1		55	12301-GC90-0100	152F曲轴箱盖/单注油盖	CRANKCASE COVER	1	
12	6057890000011270X	螺栓M6×12/GB5789/镀锌白锌	BOLT M6×12	6		56	90061-GC90-0000	152F汽油机提手	HANDLE	1	
13	15701-GC90-0000	152F进气门	INTAKE VALVE	1		57	90062-GC90-0000	152F汽油机提手胶套	HANDLE	1	
14	15702-GC90-0000	152F排气门	EXHAUST VALVE	1		58	91138-GC90-0300	152F缸头排气口双头螺栓M6×57	STUD M6×57	2	
15	15728-GC90-0000	152F进气门密封垫	INTAKE VALVE SEAL	1		59	18007-GC90-0100	152F消声器罩/无石棉	GASKET, MUFFLER	1	
16	15703-GC90-0000	152F气门弹簧	VALVE SPRING	2		60	18000-GC90-0000	152F排气消声器/动力用	MUFFLER	1	
17	15711-GC90-0000	152F气门弹簧座	VALVE SPRING SEAT	2		61	24068-KR01-0000	168F油门调速控制口垫	CHOTER PIN	1	
18	15713-GC90-0000	152F气门调整垫	ADJUST CAP, EXHAUST	2		62	T1165000001000400	油封/内衬橡胶/Φ5×Φ10×4	OIL SEAL Φ5×Φ10×4	1	
19	15002-GC90-0000	152F气门挺柱	TAPPET	2		63	24065-GC90-0100	152F油门调速轴/轴套	GOVERNOR GEAR SHAFT	1	
20	13104-GC90-0000	152F活塞环总成	PISTON RING SET	1		64	15721-GC90-0000	152F油盖	OIL COVER	1	
21	13105-GC90-0000	152F活塞销衬套	CIRCLIP, PISTON PIN	2		65	15726-GC90-0000	152F油腔泡沫滤芯	OIL COVER	1	
22	13102-GC90-0000	152F活塞销	PISTON PIN	1		66	90284-GC90-0100	152F汽油罩盖板密封垫/NPA	GASKET	1	
23	13101-GC90-0000	152F活塞	PISTON	1		67	15722-GC90-0000	152F油腔盖板	OIL COVER	1	
24	13220-GC90-0000	152F连杆三组件	CONNECTING ROD	1		68	605789000001070X	螺栓M5×10/GB5789/镀锌白锌	BOLT M5×10	4	
25	19112-GC90-0000	152F下护罩	LOWER SHIELD	1		69	91127-GC90-0000	152F缸头进气口双头螺栓M5×118	STUD M5×118	2	
26	10008-9999-0100	线卡B	CLAMP	1		70	17107-GC90-0100	152F化油器隔热板垫/无石棉	GASKET, CARBURETOR INSULATOR	1	
27	605789000001070X	螺栓M6×10/GB5789/镀锌白锌	BOLT M6×10	2		71	17112-GC90-0000	152F化油器隔热板	CARBURETOR INSULATOR	1	
28	12007-GC90-0000	152F曲轴箱体/无孔	CRANKCASE	1		72	17182-GC90-0100	152F化油器垫/无石棉	CARBURETOR GASKET	1	
29	12113-GC90-0200	152F发动机底座I	ENGINE BASE I	1		73	17100-GC90-0100	152F化油器总成/广西专用	CARBURETOR	1	
30	12113-GC90-0300	152F发动机底座II	ENGINE BASE II	1		74	17183-GC90-0100	152F化油器垫/无石棉	AIR FILTER GASKET	1	
31	605789000001070X	螺栓M6×16/GB5789/镀锌白锌	BOLT M6×16	5		75	16100-GC90-0500	152F空气滤器总成/空滤器罩改型	AIR FILTER	1	
32	1110101700000000	油封/丁腈橡胶/Φ17×Φ30×6	OIL SEAL Φ17×Φ30×6	2		76	16127-GC90-0000	152F空气滤器底座	AIR FILTER BASE	1	
33	10061-9999-0000	垫圈线夹 3×8	CLAMP Φ6, 3×8	1		77	16106-GC90-0000	152F空气滤器罩	AIR FILTER RAFFLER	1	
34	61200-GC90-0000	152F点火器组合/不带密封垫	IGNITION MIDDLE	1		78	16101-GC90-0000	152F泡沫滤芯	AIR FILTER ELEMENT	1	
35	605789000002270X	螺栓M6×22/GB5789/镀锌白锌	BOLT M6×22	2		79	16116-GC90-0000	152F空气滤器罩	AIR FILTER COVER	1	
36	62159-GC90-0000	152F飞轮组合	FLYWHEEL	1		80	00081500000000000	575×20/588齿/尖顶	SCREW 57×20	1	
37	13102-GC90-0000	152F冲杆	COMBING PIN	1		81	16117-GC90-0000	152F空气滤器罩衬套	AIR FILTER COVER	1	
38	21320-GC90-0200	152F启动马达/加高/带缺口	STARTER CPU	1		82	10061770100000000	螺母M5/GB6177.1/镀锌白锌	NUT M5	2	
39	806177812000070X	螺母M12×1.25/GB6177/镀锌白锌	NUT M12×1.25	1		83	24064-GC90-0000	152F油门轴螺母	THROTTLE LINKAGE	1	
40	72989-KR01-1300	168F脚踏开关总成/带脚踏线/19029色/带限位	ENGINE SWITCH	1		84	24063-GC90-0000	152F油门分拉线	THROTTLE LINKAGE	1	
41	21300-GC90-230075	152F手自一体启动器总成/改型/台架长1.2M/70154色	SCROLL STARTER	1		85	24062-GC90-0000	152F油门分拉线	THROTTLE LINKAGE	1	
42	21350-GC90-000075	152F启动器线圈/70154色	SOLENOID WINDING	1		86	24610-GC90-0000	152F油门轴螺母组合	GOVERNOR GEAR BRACKET ASSY	1	
43	21310-GC90-000075	152F启动器线圈总成/直筒/70154色	SOLENOID STARTER	1		87	24640-GC90-0100	25152F/7轴门支架组合/改型	GOVERNOR LEVER	1	
44	61467-0000000070X	螺栓M6×8/GB16874/镀锌白锌	BOLT M6×8	3							